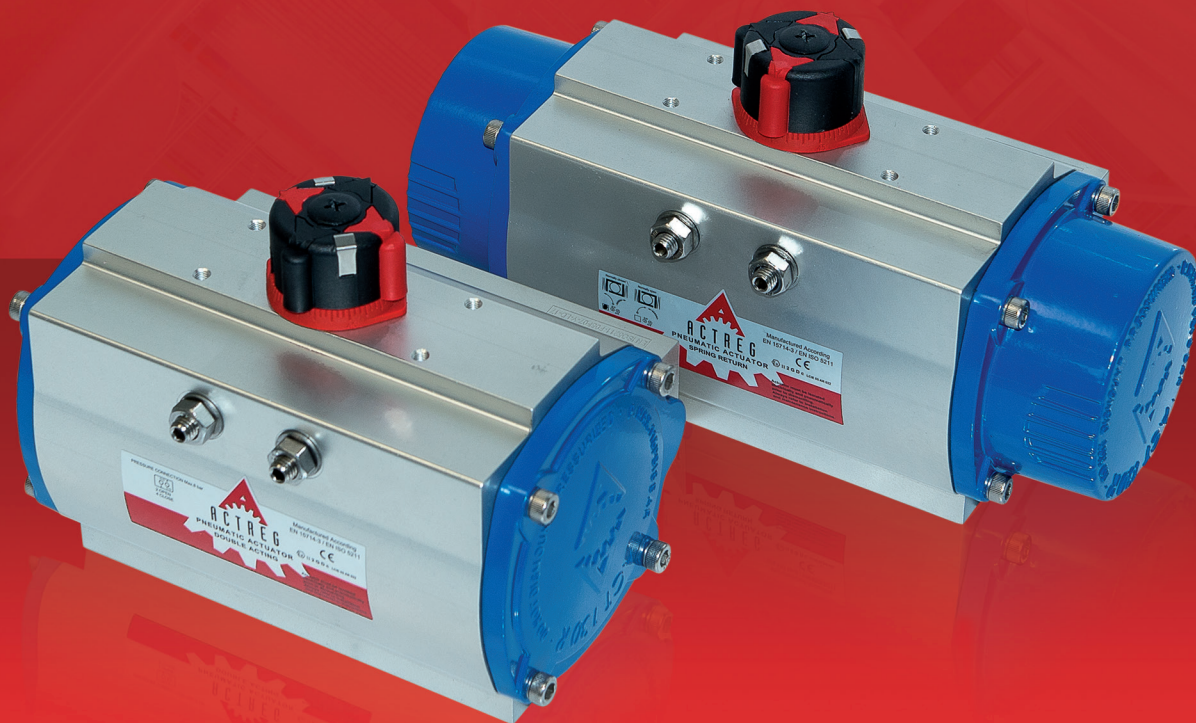




The art of power and perfection



## PNEUMATIC ACTUATORS RACK AND PINION









The art of power and perfection

ACTREG, established in 1992, is a multinational company specializing in the manufacture and sales of high quality actuators for valves requiring a rotary quarter turn movement for either On/Off or modulating duty. The expertise and know how has made ACTREG leader in actuation technology.



ACTREG provides world coverage thanks to the strategic locations of its factories and offices. The international distribution ensures quick availability and more important, personalized service for valve manufacturers, valve stocking distributors and contractors.

ESTABLISHED IN

**1992**

INTERNATIONAL

**Distribution**

DESIGN &

**Quality**

PERSONALIZED

**Service**



The art of power and perfection

We are a manufacturer of rack and pinion aluminium housing actuators with torque figures up to 4,800 ft lb and scotch yoke actuators for heavy duty service up to 185,000 ft lb. Our products offer reliable and dependable automation for ¼ turn valves.

Engineered and built to withstand most of the applications and environmental conditions, the precision in design and quality provides a long and safe operational performance in valve control.

ACTREG has invested in quality assurance, state-of-the-art machining and testing facilities in order to assist customers in safely controlling their processes.

ACTREG engineers are happy to help you with your automation requirements.

RACK AND PINION

## Aluminium housing

TORQUES UP TO

**4,800 ft lb**

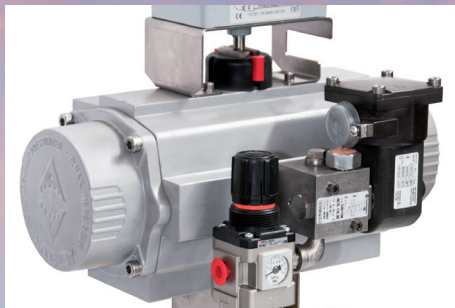
ACTUATORS IN

**14 different sizes**



# The art of power and





SCOTCH YOKE  
**Heavy duty service**

TORQUES UP TO  
**185,000 ft lb**

ACTUATORS IN  
**29 different sizes**

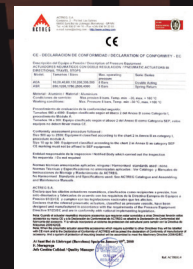
## Certificates

ACTREG, S.A. has a Quality Management System certified in accordance with the requirements of ISO 9001:2008 for the design, development, manufacturing and distribution of pneumatic actuators and accessories for valves. Certified by BVQI No. ESPMDD005463.

ADA/ASR 10 up to ADA/ASR 300 are classified as category SEP in accordance with the requirements of Pressure Equipment Directive 2014/68/EU. ADA/ASR 500 up to ADA/ASR 4000 are classified as Category I, Procedure module A.

All ACTREG pneumatic actuators are classified for use in potentially explosive atmospheres as Group II Category 2, suitable for zones 1, 2, 21 and 22 in accordance with Annex VIII of Directive 2014/34/EU (ATEX). Technical file is deposited to LCIE, No. LCIE 05 AR 022.

ACTREG pneumatic actuators have SIL 3 (Safety integrity level 3) certificate. The ACTREG actuators meets manufacturer design process requirements of Safety Integrity Level (SIL) 3. This is intended to achieve sufficient integrity against systematic errors of design by the manufacturer.



perfection



# MAIN FEATURES & CHARACTERISTICS

- 1 BODY**

The body is hard anodized aluminum with low surface roughness making it extremely abrasion resistant. Every single actuator is tested and provided with a unique serial number for traceability. This heat number is stamped on the body.
- 2 PINION**

The carbon steel shaft is electroless nickel plated that protects against external and internal corrosion and is an anti-blowout design.
- 3 ADJUSTMENT STROKE**

External stroke adjustment for 5 degree is placed on opposite side of Namur connection for better manipulation when the solenoid valve is assembled.
- 4 PISTONS**

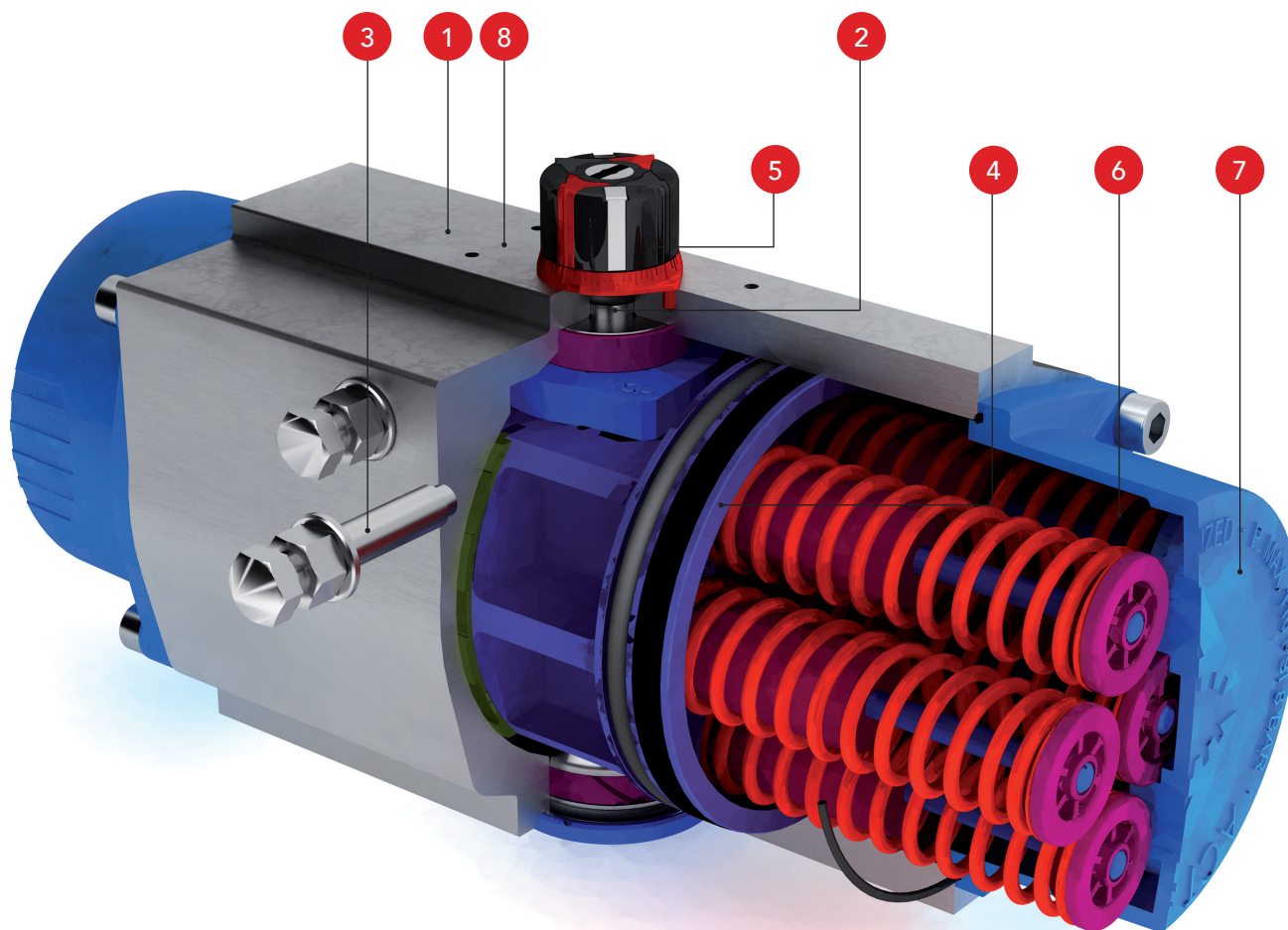
Pistons are coated with a special treatment for corrosion resistance. Backlash is avoided by a special tooth machining. The pistons have a 3-way guide for low friction between body and pistons. The pistons are also provided with an integral guide machined between pistons and pinion.
- 5 POSITION INDICATOR**

Multi-function indicator suitable for mechanical or inductive switches is a standard feature. There are many different combinations so no need for external indicators.
- 6 SPRINGS**

This system allows an easy fit for the necessary torque to open or close the valve which offers safe replacement and manipulation.
- 7 END CAPS**

There are different end caps for double acting and spring return for quick and safe identification without need to read label. End caps are epoxy coated as a standard protecting them against environmental corrosion.
- 8 CONNECTION VDI/VDE 3845**

The assembly of switch boxes, proximity switches or positioners take place by means of the Namur connection VDI/VDE 3845, which is a standard feature in all of our models. The height of the axis for all our products is 30mm, which means with a single model box or positioner all manufacturing ranges can be covered.





## Types of Actuators Double Acting & Spring Return



**ADA**  
DOUBLE  
ACTING  
ACTUATOR



**ASR**  
SPRING  
RETURN  
ACTUATOR

Rack and pinion design | Linear torque | Rotation angle  $90^\circ \pm 5^\circ$  | Antifriction sliding bearings | Long life without maintenance | Total safety for springs replacement | Mounting of solenoid valves acc. NAMUR Std. | Mounting of devices acc. NAMUR VDI/VDE 3845 Std. | Coupling according to ISO 5211 and DIN 3337 (Octagonal drive) | Multi-function position indicator suitable for mechanical and inductive direct switches.

### Working temperature:

-22 °F to 212 °F in Standard Construction.

5 °F to 302 °F with FKM O-rings (high temperature execution).

-40 °F to 176 °F with Silicone O-rings (low temperature execution).

-76 °F to 176 °F with Silicone O-rings, 316 pinion and stop 17-4 PH (extreme low temperature).

### Maximum working pressure:

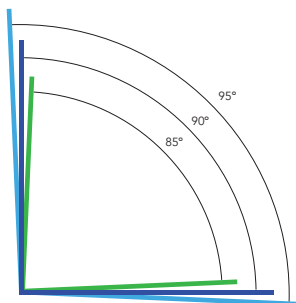
116 psig. (Except ADA10 at 145 psig)

## Bi-Directional Travel Stops

ACTREG pneumatic actuators are provided with bi-directional pinion travel stops.

Side located stops allow a full  $\pm 5^\circ$  travel adjustment between  $85^\circ$  and  $95^\circ$ . These travel stops are designed to absorb the maximum rated torque of the actuator and the maximum impact loads associated with recommended travel speed.

Adjustment of the travel limits are accomplished by unscrewing the locking nuts, turning the respective left and right stop studs to reduce or increase the travel angle and screwing the locking nuts.



## Options On Request

- Locking device with padlock.
- Fast acting actuators.
- 100% travel adjustment stroke.
- Fire proof systems (K-mass, blanket).

### HT-65 Treatment (Available for stainless steel pinion)

- Enhanced wear resistance and improved corrosion resistance.
- Prevents stainless steel from galling.
- Suitable for low working temperatures.

## Coatings for special applications

Actreg Pneumatic actuators are protected against external corrosion by proper material selection or surface treatment.

### Standard execution

Anticorrosive C3 according to EN-ISO 12944-2

PARTS	DESCRIPTION	COATING
BODY	Hard anodized	25-30 $\mu\text{m}$
END CAPS	Epoxy painted	80-90 $\mu\text{m}$
STEM	Carbon Steel + ENP	25-30 $\mu\text{m}$
SCREWS	A2	

### Execution A

Anticorrosive C5-I/C5-M according to EN-ISO 12944-2

PARTS	DESCRIPTION	COATING
BODY	Epoxy painted	200-300 $\mu\text{m}$
END CAPS	Epoxy painted	140-180 $\mu\text{m}$
STEM	SS 316	
SCREWS	A4	

### Execution B

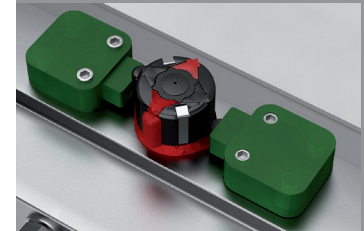
Anticorrosive C4 according EN-ISO 12944-2

PARTS & PROTECTION	DESCRIPTION	COATING
BODY	Epoxy painted	80-90 $\mu\text{m}$
END CAPS	Epoxy painted	80-90 $\mu\text{m}$
STEM	Carbon Steel + ENP	
SCREWS	A2	

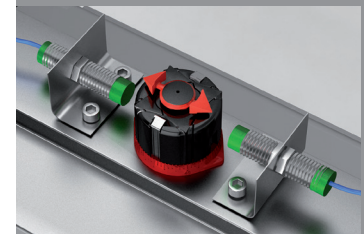
## Multi-function position indicator



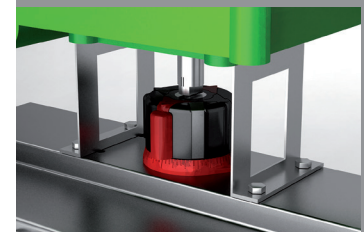
Inductive switch indicating open or closed position



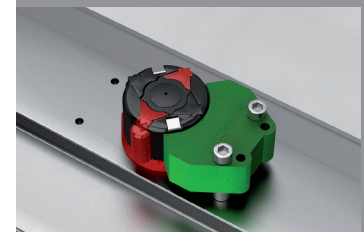
Mechanical switches indicating open and close



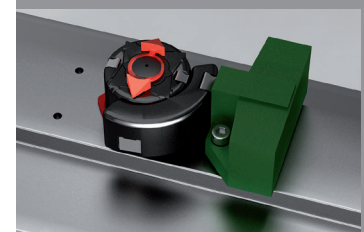
Inductive switches indicating open and closed position



Namur connection for direct mounting switch box



Inductive switches indicating open and closed position (45° detecting switches...)



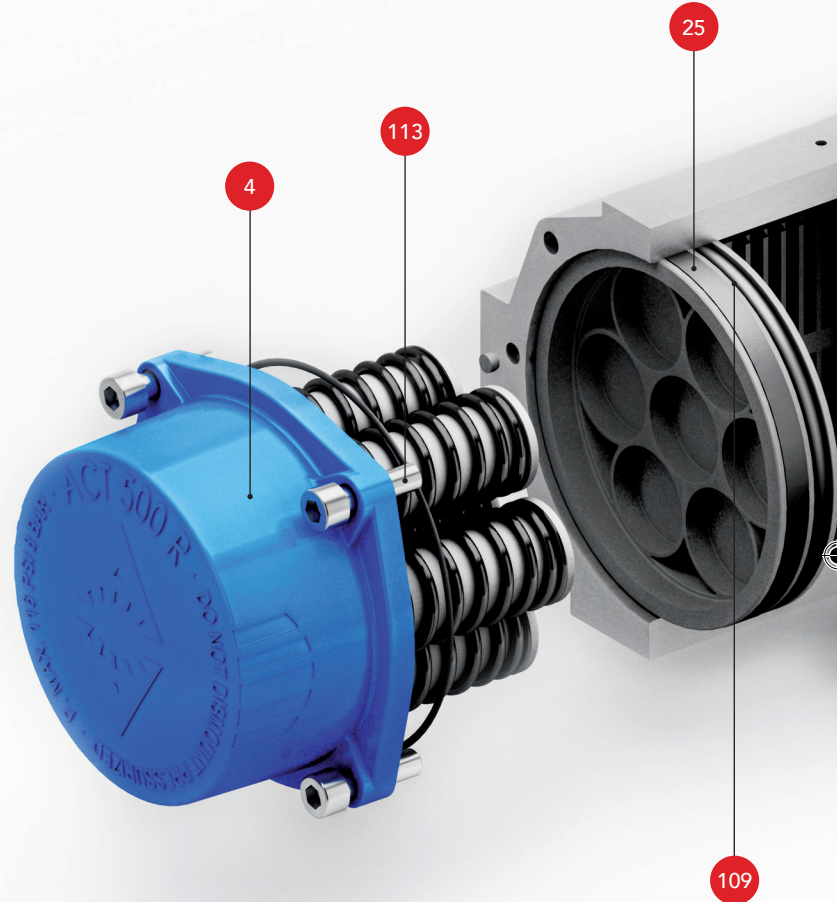
Inductive switches indicating open and closed position (up/down detecting switches...)



# PARTS & MATERIALS

- 1 Body  
Aluminium Hard Anodized
- 2 Piston  
Aluminium
- 3 Pinion  
Nickel Plated Carbon Steel
- 4 End Caps  
Aluminium Epoxy Coated
- 5 Soft Pinion Washer \*  
Polyamide PA 6,6
- 6 Slide Piston \*  
Polyamide PA 6,6 + 30% G.F.
- 7 Lug \*\*  
Nickel Plated Carbon Steel
- 8 Pinion Washer  
Stainless Steel
- 10 Upper Pinion Bearing  
Polyamide PA 6,6 (bronze  
for sizes 500 and 2100)
- 12 Stop  
ASTM A 105
- 14 Spring's Long Support  
Polyamide PA 6,6
- 15 Spring's Short Support  
Polyamide PA 6,6
- 16 Leveling Screw  
Stainless Steel
- 18 Bolt  
Stainless Steel
- 19 Spring  
DIN 2076 · D-5.6
- 20 Position Indicator  
Polypropylene
- 21 Cam  
Polypropylene
- 23 Centering Ring  
Nickel Plated Carbon Steel
- 25 Slide Guide \*  
Polyamide PA 6,6 + 30% G.F.
- 26 Lower Pinion Bearing \*  
Polyamide PA 6,6
- 109 O-Ring \*  
NBR
- 110 O-Ring \*  
NBR

## SPRING RETURN ACTUATOR (ASR)



- 111 O-Ring \*  
NBR
- 113 Bolt  
Stainless Steel
- 118 O-Ring \*  
NBR
- 119 O-Ring \*  
NBR
- 125 Washer  
Stainless Steel
- 471 Slip Washer \*  
Stainless Steel
- 934 Nut  
Stainless Steel
- 985 Nut  
Stainless Steel

## POSITION INDICATOR

FROM SIZE 20 TO 850



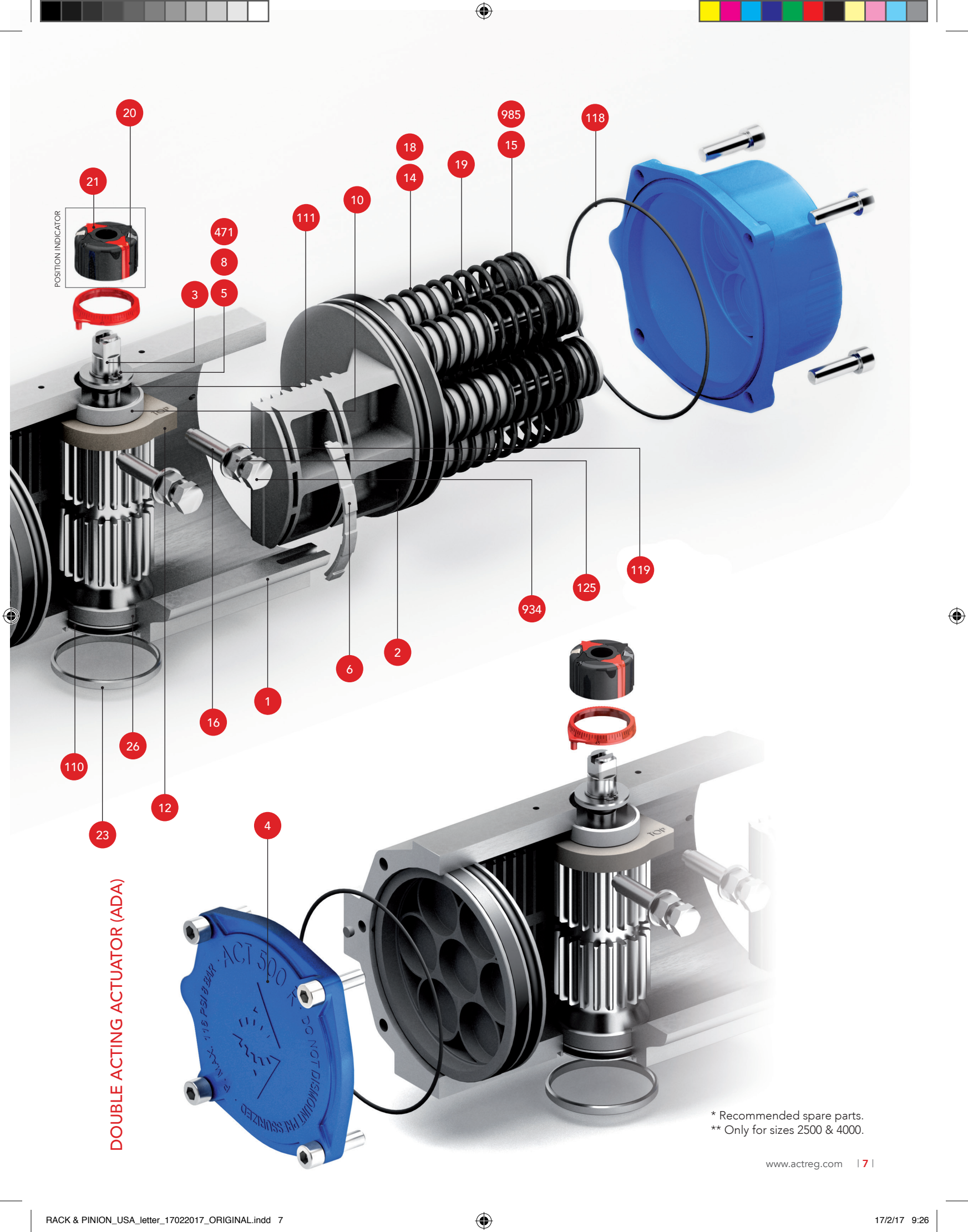
Inserts  
Stainless Steel

FROM SIZE 1200 TO 4000



Position indicator & Cams  
Polypropylene





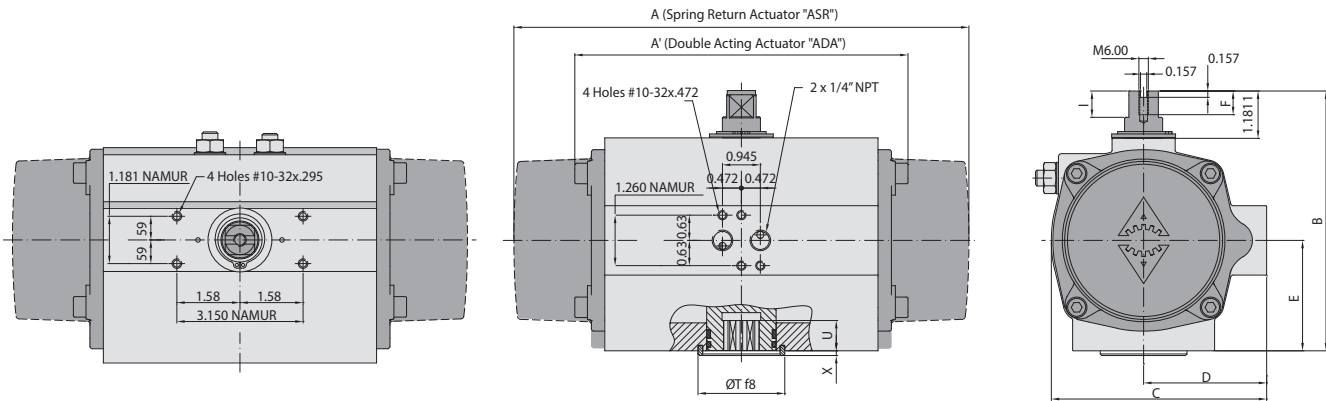
**DOUBLE ACTING ACTUATOR (ADA)**

\* Recommended spare parts.  
 \*\* Only for sizes 2500 & 4000.

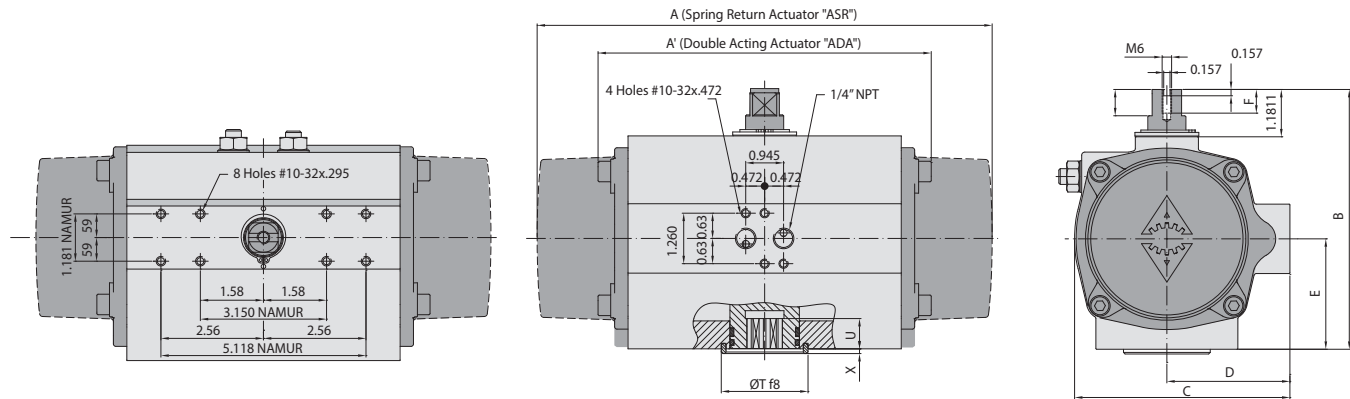


# GENERAL DIMENSIONS

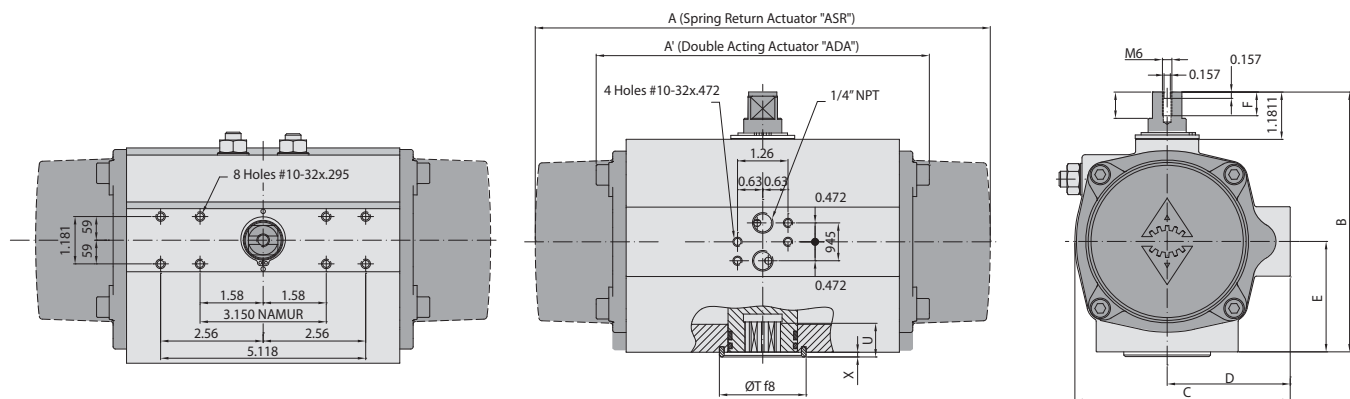
SIZES 10 | 20 | 40 | 80 | 130 | 200 | 300 | 500 | 850



SIZES 1200 | 1750



SIZE 2100

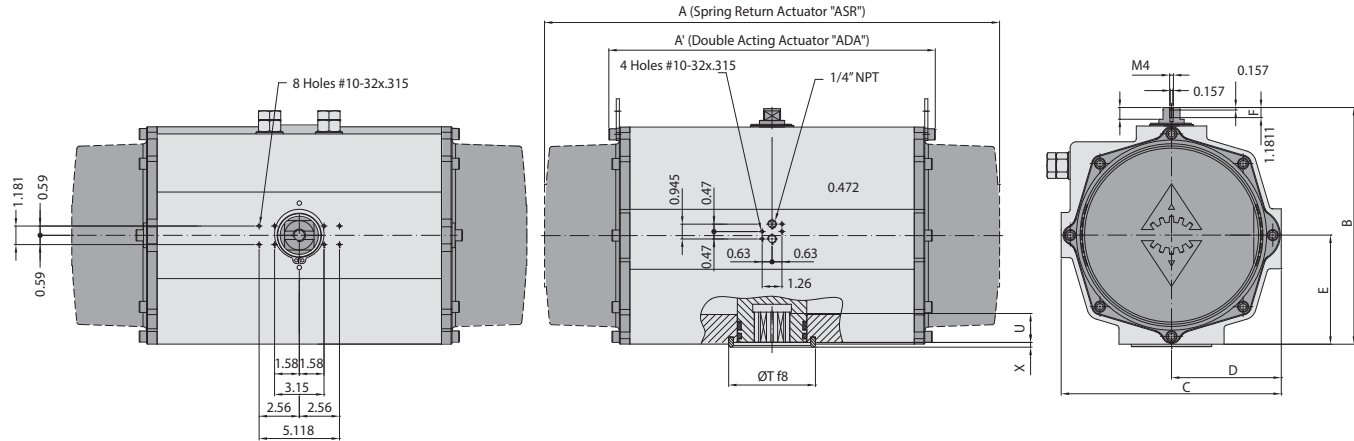


## DOUBLE ACTING & SPRING RETURN ACTUATORS GENERAL DIMENSIONS (inches)

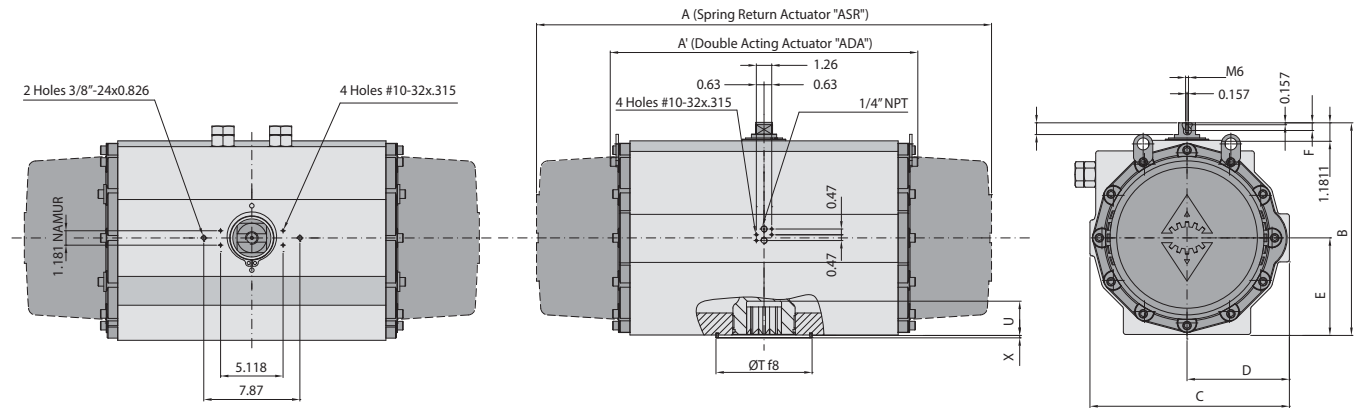
SIZE	A	A'	B	C	D	E	F	I	R	øS	ISO5211	øL	MxV	ISO5211	øL1	M1xV1	øT	X	U
10	-	3.937	2.992	2.205	1.299	0.906	0.354	0.236	0.354	0.492	F03	1.417	10-32 UNF x.315	-	-	-	0.433	0.079	0.472
20	6.417	5.709	3.780	2.992	1.890	1.339	0.354	0.492	0.354	0.492	F03	1.417	10-32 UNF x.315	F05	1.969	1/4"-20 UNCx.394	0.984	0.079	0.394
20	6.417	5.709	3.780	2.992	1.890	1.339	0.354	0.492	0.551	0.713	F05	1.969	1/4"-20 UNCx.394	-	-	-	1.378	0.118	0.472
20	6.417	5.709	3.780	2.992	1.890	1.339	0.354	0.492	0.551	0.713	F04	1.654	10-32 UNF x.394	-	-	-	1.378	0.118	0.472
40	7.677	6.220	4.528	3.583	2.205	1.772	0.354	0.492	0.551	0.713	F04	1.654	10-32 UNF x.394	-	-	-	1.378	0.118	0.472
40	7.677	6.220	4.528	3.583	2.205	1.772	0.354	0.492	0.551	0.713	F05	1.969	1/4"-20 UNCx.394	-	-	-	1.378	0.118	0.472
80	8.543	6.969	5.394	4.370	2.598	2.165	0.472	0.492	0.669	0.886	F05	1.969	1/4"-20 UNCx.394	F07	2.756	5/16"-18 UNC x.669	2.165	0.118	0.748
130	10.157	7.717	5.787	4.803	2.795	2.362	0.472	0.492	0.669	0.886	F05	1.969	1/4"-20 UNCx.394	F07	2.756	5/16"-18 UNC x.669	2.165	0.118	0.866
200	11.772	8.858	6.496	5.335	3.071	2.756	0.472	0.492	0.669	0.886	F07	2.756	5/16"-18 UNC x.669	F10	4.016	3/8"-16 UNCx.669	2.165	0.118	0.906



## SIZE 2500



## SIZE 4000



### ISO 5211 DETAIL

#### SIZES

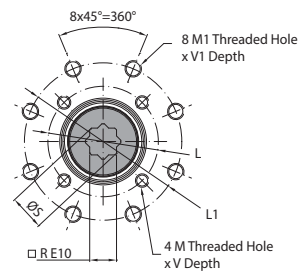
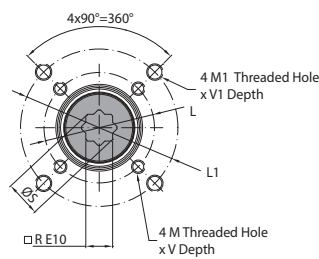
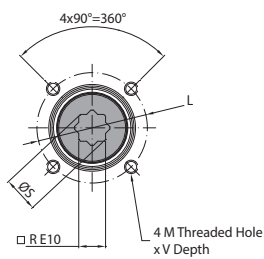
10 | 20 | 40 | 500 | 1750 | 2100 | 2500

#### SIZES

20 | 80 | 130 | 200 | 300 | 850 | 1200

#### SIZE

4000



### DOUBLE ACTING & SPRING RETURN ACTUATORS GENERAL DIMENSIONS (inches)

SIZE	A	A'	B	C	D	E	F	I	R	øS	ISO5211	øL	MxV	ISO5211	øL1	M1xV1	øT	X	U
300	13.720	10.748	7.165	6.004	3.386	3.150	0.472	0.492	0.866	1.122	F07	2.756	5/16" - 18 UNC x .669	F10	4.016	3/8" - 16 UNC x .669	2.756	0.118	0.945
500	15.630	11.969	7.835	6.811	3.780	3.346	0.472	0.492	0.866	1.122	F10	4.016	3/8" - 16 UNC x .669	-	-	-	2.756	0.118	1.260
850	18.622	14.646	8.701	7.539	4.173	3.858	0.472	0.492	1.063	1.437	F10	4.016	3/8" - 16 UNC x .669	F12	4.921	1/2" - 13 UNC x .787	3.346	0.118	1.535
1200	22.047	17.283	9.803	8.366	4.567	4.488	0.630	0.732	1.417	1.909	F10	4.016	3/8" - 16 UNC x .669	F14	5.512	5/8" - 11 UNC x 1.024	3.937	0.157	1.890
1750	23.661	18.150	11.024	9.547	5.157	5.118	0.630	0.732	1.417	1.909	F14	5.512	5/8" - 11 UNC x 1.024	-	-	-	3.937	0.157	1.969
2100	27.638	20.079	12.323	10.886	5.827	5.787	0.630	0.732	1.811	2.366	F16	6.496	3/4" - 10 UNC x 1.181	-	-	-	5.118	0.157	1.969
2500	29.055	20.394	15.079	14.016	6.988	6.949	0.630	0.732	1.811	2.370	F16	6.496	3/4" - 10 UNC x 1.181	-	-	-	5.118	0.157	2.283
4000	37.008	24.803	17.087	16.339	8.386	7.913	0.630	0.732	2.165	2.854	F16	6.496	3/4" - 10 UNC x 1.181	F25	10.000	5/8" - 11 UNC x 1.181	7.874	0.157	2.362



**DOUBLE ACTING ACTUATOR TORQUE OUTPUT (inch lb)**

Size	43.5 psi		50 psi		60 psi		70 psi		80 psi		90 psi		100 psi		110 psi		116 psi		145 psi		Weight (lb)
	0°	90°	0°	90°	0°	90°	0°	90°	0°	90°	0°	90°	0°	90°	0°	90°	0°	90°	0°	90°	
10	27		35		41		50		58		64		71		77		81		97		1.4
20	86		99		119		139		158		179		200		219		230		-		3.1
40	180		207		248		290		331		374		411		453		478		-		4.6
80	341		392		470		548		626		704		784		864		912		-		6.6
130	523		601		721		841		962		1082		1204		1321		1390		-		8.4
200	779		890		1070		1247		1430		1605		1788		1966		2071		-		12.3
300	1283		1482		1777		2070		2372		2665		2958		3256		3434		-		18.7
500	1921		2207		2647		3087		3526		3966		4406		4846		5107		-		24.7
850	3177		3655		4386		5112		5845		6578		7304		8035		8470		-		37.3
1200	4594		5287		6340		7397		8456		9510		10566		11622		12249		-		56.9
1750	6257		7189		8630		10071		11503		12945		14386		15822		16675		-		71.7
2100	9612		11054		13264		15475		17686		19897		22107		24318		25632		-		109.6
2500	15312		17614		21135		24659		28177		31703		35228		38747		40837		-		153.4
4000	21313		24507		29407		34311		39210		44116		49014		53917		56831		-		285.3

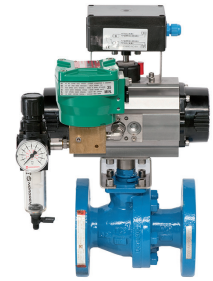
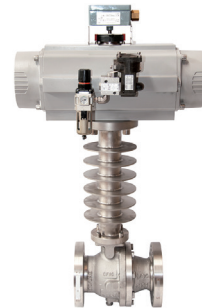
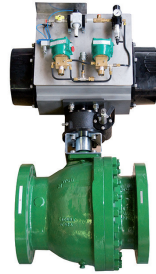
**SPRING RETURN ACTUATOR TORQUE OUTPUT (inch lb)**

Size	Type Pressure	43.5 psi		50 psi		60 psi		70 psi		80 psi		90 psi		100 psi		110 psi		116 psi		Spring Stroke		Weight (lb)
		0°	90°	0°	90°	0°	90°	0°	90°	0°	90°	0°	90°	0°	90°	0°	90°	0°	90°	END 0°	START 90°	
20	S04			64	40	85	64	109	82	125	107	145	122	165	147	184	166	195	177	35	62	3.3
	S06 A							64	41	107	80	128	96	147	113	166	136	177	150	62	97	3.4
	S08									89	45	114	69	131	87	148	109	159	124	80	133	3.4
40	S04	142	124	173	148	211	187	253	230	293	267	339	312	375	356	417	394	424	416	44	71	4.8
	S06	124	89	156	120	193	158	236	200	275	240	316	280	358	322	399	364	425	389	62	106	4.9
	S08			119	80	176	131	218	168	258	213	298	250	340	294	382	337	407	363	89	142	4.9
	S10							200	141	240	178	280	224	322	260	364	302	389	327	106	177	5.0
	S12							123	76	222	152	263	192	304	234	346	276	372	301	133	212	5.0
	S14 A									205	116	245	162	287	205	329	244	354	266	150	248	5.1
80	S04	274	239	330	295	404	369	483	448	560	525	642	606	715	680	794	758	841	805	80	115	7.2
	S06	239	186	295	242	371	318	451	398	525	472	606	553	687	634	767	714	814	761	115	177	7.4
	S08					342	272	416	345	498	427	575	504	653	582	732	661	779	708	150	239	7.6
	S10							386	298	463	374	544	456	618	529	696	608	743	655	195	292	7.7
	S12							245	175	427	321	509	403	589	483	670	564	717	611	230	354	7.9
	S14 A								400	276	477	373	556	432	634	510	682	558	266	416		
130	S06	381	319	452	398	574	518	696	634	818	756	936	878	1053	1000	1175	1117	1248	1186	168	239	9.7
	S08			374	303	529	450	646	572	765	685	887	807	1009	929	1126	1051	1195	1124	230	319	9.9
	S10					476	379	598	501	720	623	839	742	956	859	1078	981	1151	1053	283	398	10.1
	S12							548	430	667	552	789	674	912	797	1029	913	1097	982	345	478	10.4
	S14 A								623	481	742	604	859	726	981	843	1053	912	398	566		
200	S06	540	434	659	545	834	725	1011	902	1191	1085	1371	1259	1549	1443	1727	1621	1832	1726	274	407	14.3
	S08			534	398	754	610	937	787	1112	970	1291	1144	1469	1321	1647	1502	1752	1611	372	540	14.8
	S10					674	495	858	672	1032	855	1215	1029	1391	1205	1568	1387	1673	1496	460	682	15.2
	S12							778	557	952	740	1136	914	1312	1090	1488	1272	1593	1381	558	814	15.4
	S14 A								881	625	1056	799	1232	975	1413	1157	1522	1266	646	947		
300	S06	903	664	1094	855	1396	1151	1689	1450	1982	1743	2279	2040	2577	2338	2870	2632	3045	2806	451	735	21.3
	S08			892	605	1263	945	1562	1238	1858	1540	2151	1833	2445	2126	2743	2424	2921	2602	602	982	21.9
	S10					1139	735	1432	1034	1726	1327	2028	1624	2321	1922	2614	2216	2788	2390	752	1221	22.5
	S12							1305	822	1602	1124	1895	1417	2195	1710	2490	2008	2664	2186	903	1469	23.1
	S14 A								1469	911	1771	1208	2064	1506	2362	1800	2540	1974	1053	1708		
500	S06	1345	1053	1632	1340	2072	1780	2511	2219	2960	2659	3400	3099	3839	3539	4279	3983	4540	4248	673	1018	29.4
	S08	1159	761	1446	1048	1886	1488	2326	1933	2765	2376	3205	2816	3645	3255	4090	3695	4355	3956	894	1354	30.5
	S10					1691	1204	2137	1644	2579	2084	3019	2524	3459	2963	3899	3403	4160	3664	1115	1699	31.6
	S12							1945	1352	2385	1792	2824	2240	3264	2680	3709	3120	3974	3381	1345	2036	32.7
	S14 A								2199	1509	2639	1948	3078	2388	3518	2828	3779	3089	1567	2372		
850	S06	2301	1850	2779	2328	3512	3052	4245	3785	4969	4517	5702	5247	6434	5974	7162	6707	7594	7143	1027	1567	43.4
	S08	2009	1407	2487	1877	3220	2609	3953	3342	4677	4075	5410	4804	6142	5532	6875	6265	7151	6700	1372	2089	44.8
	S10			2023	1338	2928	2167	3661	2900	4393	3632	5118	4356	5850	5089	6583	5822	7019	6257	1708	2611	46.1
	S12							3369	2457	4101	3189	4831	3914	5558	4647	6291	5379	6727	5815	2053	3124	47.6
	S14 A								3809	2738	4538	3471	5266	4204	5999	4937	6434	5372	2399	3647		
1200	S06	3301	2558	3994	3251	5048	4305	6111	5361	7165	6421	8223	7475	9281	8530	10338	9586	10966	10214	1513	2399	66.4
	S08	2876	1885	3562	2570	4621	3630	5677	4686	6739	5740	7793	6798	8849	7856	9905	8913	10532	9541	2027	3195	68.6
	S10	2443	1204	3136	1889	4190	2948	5246	4004	6306	5067	7367	6121	8422	7176	9480	8232	10108	8860	2531	3992	71.0
	S12					3762	2269	4819	3326	5872	4385	6931	5439	7989	6495	9046	7550	9674	8178	3036	4788	73.2
	S14 A							3067	1922	5447	3704	6501	4763	7557	5820	8612	6878	9240	7505	3540	5585	75.6
1750	S06	4222	3089	5162	4021	6594	5461	8035	6903	9476	8335	10909	9776	12350	11217	13786	12653	14639	13506	2390	3726	86.6
	S08	3540	2027	4480	2967	5922	4406	7357	5840	8795	7282	10236	8719	11671	10155	13110	11597	13966	12453	3186	4974	90.4
	S10			3513	1816	5240	3346	6681	4787	8114	6228	9555	7661	10996	9102	12432	10538	13285	11391	3992	6213	94.1
	S12							6000	3728	7441	5166	8879	6608	10315	8049	11756	9485	12612	10338	4788	7461	97.9
	S14 A							3750	1998	6759	4113	8201	5551	9642	6987	11078	8428	11931	9284	5585	8700	101.4
2100	S06	6213	4505	7655	5947	9866	8158	12076	10368	14287	12579	16498	14790	18709	17001	20919	19211	22233	20525	3399	5107	132.9
	S08	5080	2797	6522	4239	8733	6449	10944	8660	13154	10871	15365	13082	17576	15292	19787	17503	21100	18817	4532	6815	137.8
	S10			4994	2430	7600	4750	9811	6961	12021												

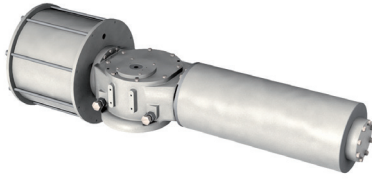




The art of power and perfection



# OTHER PRODUCTS



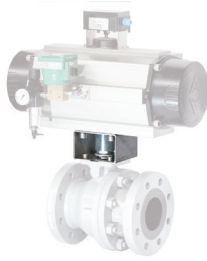
## SY SERIES

- Heavy duty applications.
- Hydraulic or pneumatic actuators.
- Scotch yoke design.
- Up to 190720 ft lb in double acting and 82039 ft lb in Spring return.
- Modular design.
- ATEX.
- CE.
- VDI/VDE 3845.
- ISO 5211.



## DECLUTCHABLE GEAR BOXES

- Aluminium Housing.
- Rugged construction.
- Sealed to IP-65.
- ACTREG's Actuators direct mounting.
- Compact design-low weight.
- Integral top flange.
- User friendly.
- Double adjustment stroke.



## BRACKETS AND COUPLINGS

- Stainless steel, carbon steel or other materials upon request.
- Machined for every kind of valve.



## SWITCH BOXES

- Micromechanical switches or inductive switches.
- Inductive switches for direct mounting.
- ATEX execution.
- Feedback and positioner.



## PNEUMATIC CONTROL DESIGNS

- Solenoid valves, filters, quick exhaust valves, tubing, regulators...
- Line Break systems.
- Emergency shut down systems.
- Design and manufacturing control cabinets.
- Remote control cabinets.



## SPECIAL ACTUATORS

- FIRE-proof.
- Fast acting actuators.
- 100% adjustment stroke actuators.
- Special coatings.
- Special actuators for critical applications.



# ACTREG MOBILE APPLICATION

The all-in-one ACTREG interface is a “must have” for the modern automation valve business. Ideal for work, the ACTREG interface can be used to calculate torques with or without safety factors and allows you to make your own configuration with ACTREG actuators. You can also convert any unit of measurement, dimensions, torques, temperatures, and material equivalences from most common standards.

The sleek, easy-to-use interface makes actuator and torque calculations quick and easy. The user-friendly screen interface lets you see items at-a-glance, allowing you to convert quickly while on-the-go.

We have also included some information about ACTREG and the entire product range. This is a highly effective interface made by ACTREG. Anytime, anywhere, and in any situation.



Available on the  
**App Store**



for iPhone  
Download now!



Available on the  
**Google play**



for Android  
Download now!





**ACTREG, S.A.U. (Headquarters)**

Carrer de la Ciència, 45-47  
08840 Viladecans  
Barcelona (Spain)  
Phone +34 93 661 44 10  
Fax +34 93 654 33 93  
actreg@actreg.com

**ACTREG do Brasil. Sorocaba (SP)**

Avenida Liberdade. 4565  
Bairro Iporanga - Sorocaba - SP  
CEP 18.087-170  
Sao Paulo, Brasil  
Phone: 0055 15 3228 1010  
Fax: 0055 15 3235 9511  
actreg@actregdobrasil.com.br

**ACTREG Shanghai Actuator Co. Ltd.**

No. 125, Ji Ye Road  
SheShan Industrial Zone  
Songjiang District, Shanghai, China  
P.R.C. 201602  
Phone: +86 21 57796818  
Fax: +86 21 57792426  
sale@actreg.net.cn

**ACTREG UK. LTD**

Units 2 & 3 Henson Close  
Telford Way Industrial Estate  
Kettering Northants NN 16 8PZ  
United Kingdom  
Phone: 0044 1536412525  
Fax: 0044 1536521616  
sales@actreg.co.uk

**ACTREG North America**

20675 Boul. Industriel  
Ste. Anne-de-Bellevue, Québec  
H9X 4B2 Canada  
Toll Free: 1 800 667 4819  
Phone: 001 514 457 5777  
Fax: 001 514 457 1348  
trueline.sales@trueline.ca

For further information visit our website

[www.actreg.com](http://www.actreg.com)

Edition 02/2017 (USA)

